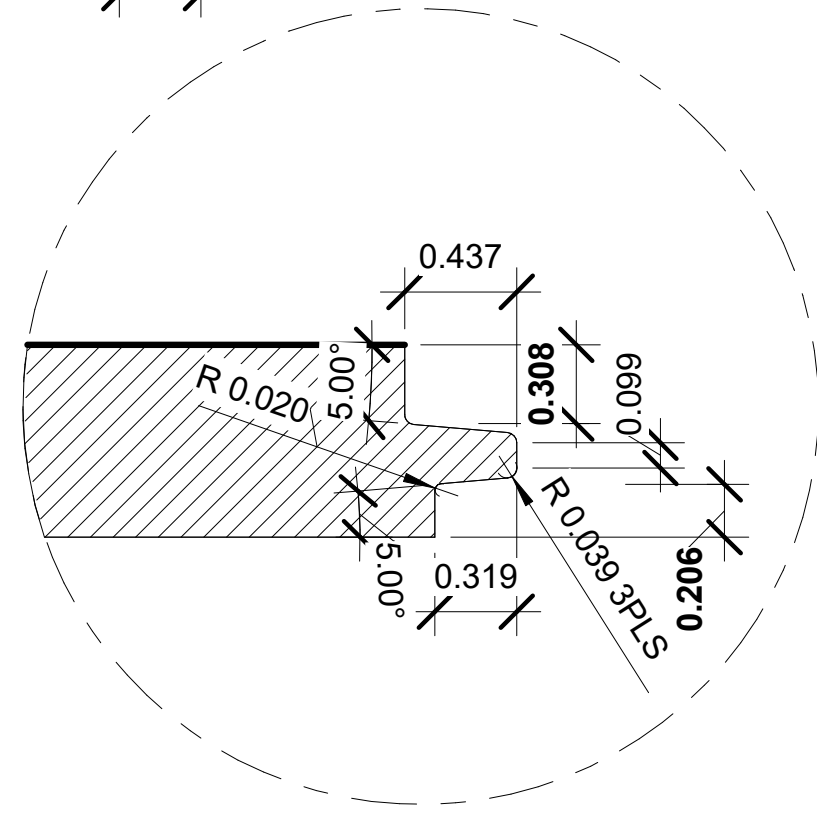


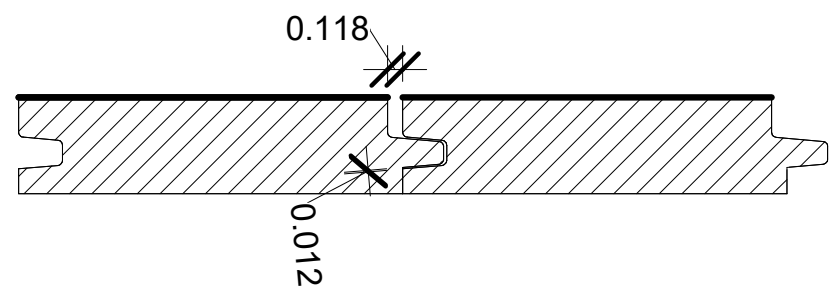
DETAIL A

Dimensions .306 & .194 are to a sharp corner not to required radius



DETAIL B

Dimensions .307 & .206 are to a sharp corner not to required radius



4/4 Siding (0.75"x3")
Ash Tongue & Groove

SKU
AW-TG-ASH-4

| | |
|--------|----------|
| Scale | 1:1 |
| Format | A4 |
| Date | 08/04/23 |